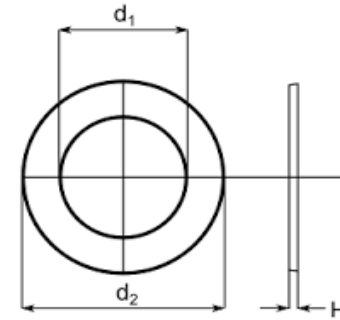


## BS 4320 Form G Washers



BS 4320 Form G Washers																		
Diameter	M2	M2.5	M3	M3.5	M4	M5	M6	M7	M8	M10	M12	M14	M16	M18	M20	M24	M30	M36
d1	2.2	2.7	3.2	3.7	4.3	5.3	6.4	7.4	8.4	10.5	13	15	17	20	22	26	33	39
d2	7	8	9	11	12	15	18	22	24	30	37	44	50	56	60	72	92	110
h	0.8	0.8	0.8	0.8	1	1.2	1.6	2	2	2.5	3	3	3	4	4	5	6	8

Material	Finish	Diameter
Steel	Self Colour	M5- M24 (Minus M7-M14 & M18)
Steel	Zinc (CR3)	M8 -M30 (Minus M14 & M18)
Steel	Galvanised	M8 - M30 (Minus M14 & M18)
Stainless Steel	A2 & A4	M2 - M36

INFORMATION AND DRAWINGS PROVIDED ARE FOR REFERENCE ONLY